

# SeeSnake®

## MINI PRO



### **WARNING!**

Read this Operator's Manual carefully before using this tool. Failure to understand and follow the contents of this manual may result in electrical shock, fire, and/or serious personal injury.

For support and additional information about using your SeeSnake Mini Pro go to [support.seesnake.com/mini-pro](https://support.seesnake.com/mini-pro) or scan this QR code.



# Table of Contents

## Introduction

Regulatory Statements ..... 3  
 Safety Symbols..... 3

## General Safety Rules

Work Area Safety..... 4  
 Electrical Safety..... 4  
 Personal Safety ..... 4  
 Equipment Use and Care ..... 5  
 Pre-Operation Inspection..... 6

## SeeSnake Mini Pro Overview

Description..... 7  
 Compatibility ..... 7  
 TruSense® Technology..... 7  
 Specifications ..... 8  
 Standard Equipment..... 8  
 System Components ..... 9

## Specific Safety Information

SeeSnake Mini Pro Safety..... 9

## Operating Instructions

Placement..... 10  
 Inspection Overview ..... 10  
 Pipe Guides..... 11

## Maintenance and Support

Cleaning ..... 11  
 Maintaining Components..... 11  
 Storage ..... 11  
 Support..... 11  
 Service and Repair ..... 12  
 Disposal..... 12

\*Original Instructions – English

## Introduction

The warnings, cautions, and instructions discussed in this manual cannot cover all possible conditions and situations that may occur. It must be understood by the operator that common sense and caution are factors that cannot be built into this product, but must be supplied by the operator.

## Regulatory Statements

**CE** The EU Declaration of Conformity (999-995-232.10) will accompany this manual as a separate booklet when required.

**FCC** This device complies with Part 15 of FCC rules. Operation is subject to the following two conditions: (1) This device may not cause harmful interference, and (2) this device must accept any interference received, including interference that may cause undesired operation.

**UK  
CA** **UK Importer**  
Ridge Tool UK (RIDGID)  
44 Baker Street  
London W1U 7AL, UK

## Safety Symbols

In this manual and on the product, safety symbols and signal words are used to communicate important safety information. This section is provided to improve understanding of these signal words and symbols.



This is the safety alert symbol. It is used to alert you to potential personal injury hazards. Obey all safety messages that follow this symbol to avoid possible injury or death.

### **DANGER**

**DANGER** indicates a hazardous situation which, if not avoided, will result in death or serious injury.

### **WARNING**

**WARNING** indicates a hazardous situation which, if not avoided, could result in death or serious injury.

### **CAUTION**

**CAUTION** indicates a hazardous situation which, if not avoided, could result in minor or moderate injury.

### **NOTICE**

**NOTICE** indicates information that relates to the protection of property.



This symbol means read the operator's manual carefully before using the equipment. The manual contains important information on the safe and proper operation of the equipment.



This symbol means always wear safety glasses with side shields or goggles when handling or using this equipment to reduce the risk of eye injury.



This symbol indicates the risk of electrical shock.

## General Safety Rules

### ⚠ WARNING



Read all safety warnings and instructions. Failure to follow the warnings and instructions may result in electrical shock, fire, and/or serious injury.

### SAVE THESE INSTRUCTIONS!

### Work Area Safety

- **Keep your work area clean and well lit.** Cluttered or dark areas invite accidents.
- **Do not operate equipment in explosive atmospheres, such as in the presence of flammable liquids, gases, or dust.** Equipment can create sparks which may ignite the dust or fumes.
- **Keep children and bystanders away while operating equipment.** Distractions can cause you to lose control.
- **Avoid traffic.** Pay close attention to moving vehicles when using on or near roadways. Wear high-visibility clothing or reflector vests.

### Electrical Safety

- **Avoid body contact with earthed or grounded surfaces such as pipes, radiators, ranges, and refrigerators.** There is an increased risk of electrical shock if your body is earthed or grounded.
- **Do not expose equipment to rain or wet conditions.** Water entering equipment will increase the risk of electrical shock.

- **Keep all electrical connections dry and off the ground.** Touching equipment or plugs with wet hands can increase the risk of electrical shock.
- **Do not abuse the cord.** Never use the cord for carrying, pulling, or unplugging the power tool. Keep cord away from heat, oil, sharp edges, and moving parts. Damaged or entangled cords increase the risk of electrical shock.
- **If operating equipment in a damp location is unavoidable, use a ground fault circuit interrupter (GFCI) protected supply.** Use of a GFCI reduces the risk of electrical shock.

### Personal Safety

- **Stay alert, watch what you are doing, and use common sense when operating equipment.** Do not use equipment while you are tired or under the influence of drugs, alcohol, or medication. A moment of inattention while operating equipment may result in serious injury.
- **Dress properly.** Do not wear loose clothing or jewelry. Loose clothes, jewelry, and long hair can be caught in moving parts.
- **Practice good hygiene.** Use hot, soapy water to wash hands and other body parts exposed to drain contents after handling or using drain inspection equipment. To prevent contamination from toxic or infectious material, do not eat or smoke while operating or handling drain inspection equipment.
- **Always use appropriate personal protective equipment when handling and using equipment in drains.** Drains may contain chemicals, bacteria, and other substances that may be toxic, infectious, and cause burns or other issues. Appropriate personal protective equipment always includes safety glasses and may include a dust mask, hard hat, hearing protection, drain cleaning gloves or mitts, latex or rubber gloves, face shields, goggles, protective clothing, respirators, and steel toed, non-skid footwear.

- **If using drain cleaning equipment and drain inspection equipment at the same time, wear RIDGID drain cleaning gloves.** Never grasp the rotating drain cleaning cable with anything else, including other gloves or a rag which can become wrapped around the cable and cause hand injuries. Only wear latex or rubber gloves underneath RIDGID drain cleaner gloves. Do not use damaged drain cleaning gloves.
- **Use the equipment and accessories in accordance with these instructions, taking into account the working conditions and the work to be performed.** Use of the equipment for operations different from those intended can result in hazardous situations.
- **Use only accessories that are recommended by the manufacturer for your equipment.** Accessories that may be suitable for one piece of equipment may become hazardous when used with other equipment.

## Equipment Use and Care

- **Do not force equipment.** Use the correct equipment for your application. The correct equipment does the job better and more safely.
- **Do not use equipment if the power switch does not turn it on and off.** Any equipment that cannot be controlled with the power switch is dangerous and must be repaired.
- **Disconnect the plug from the power source and/or the battery pack from the equipment before making adjustments, changing accessories, or storing.** Preventive safety measures reduce the risk of injury.
- **Store idle equipment out of the reach of children and do not allow persons unfamiliar with the equipment or these instructions to operate the equipment.** Equipment can be dangerous in the hands of untrained users.
- **Maintain equipment.** Check for misalignment or binding of moving parts, missing parts, breakage of parts, and any other condition that may affect the equipment's operation. If damaged, have the equipment repaired before use. Many accidents are caused by poorly maintained equipment.
- **Do not overreach.** Keep proper footing and balance at all times. This enables better control of the equipment in unexpected situations.

## Pre-Operation Inspection

### ⚠ WARNING



To reduce the risk of serious injury from electrical shock or other causes, and to prevent damage to your equipment, inspect all equipment and correct any problems before each use.

To inspect all equipment, follow these steps:

1. Power off your equipment.
  2. Disconnect and inspect all cords, cables, and connectors for damage or modification.
  3. Clean any dirt, oil, or other contamination from your equipment to ease inspection and to prevent it from slipping from your grip during transport or use.
  4. Inspect your equipment for any broken, worn, missing, misaligned, or binding parts, or any other condition which might prevent safe, normal operation.
  5. Refer to the instructions for all other equipment to inspect and make sure it is in good, usable condition.
6. Check your work area for the following:
    - Adequate lighting.
    - The presence of flammable liquids, vapors, or dust that may ignite. If present, do not work in area until sources have been identified and corrected. The equipment is not explosion proof. Electrical connections can cause sparks.
    - A clear, level, stable, and dry place for the operator. Do not use the equipment while standing in water.
  7. Examine the job to be done and determine the correct equipment for the task.
  8. Observe the work area and erect barriers as necessary to keep bystanders away.

**See additional product specific safety information and warnings starting on page 9.**

## SeeSnake Mini Pro Overview



### Description

The RIDGID® SeeSnake® Mini Pro is a versatile TruSense-enabled plumbing camera reel with our smallest and most rugged self-leveling camera. The Mini Pro digitally levels the image with no moving parts, providing ultra-smooth in-pipe viewing.

The ultra-compact camera and mid-flex 61 m [200 ft] push cable, which is reinforced with fiberglass, enables the Mini Pro to readily navigate sharp 90° bends and to push the camera long distances.

Each Mini Pro includes a built-in Flexmitter® sonde that helps locate points of interest in the pipe. Flexmitter sondes have long, powerful antennas capable of putting out a signal strong enough to pinpoint the camera's location underground, while still preserving its flexibility through turns.

### Compatibility

To take advantage of all of the Mini Pro's features, including digital self-leveling, use the Mini Pro with a SeeSnake TruSense-capable device. Available TruSense-capable devices include the CS6x Versa, CS65XR, and CS12x monitors, as well as the CSx Via mobile inspection device.

The Mini Pro is backwards compatible with any SeeSnake monitor to record and distribute inspections.

### TruSense® Technology

TruSense technology establishes a two-way communication link between the camera head and a connected TruSense-capable device. Advanced on-camera sensors convey valuable information about the in-pipe environment.

### Additional TruSense Features

**TiltSense™** — The TiltSense inclinometer measures the camera's degree of tilt and displays it on a TruSense-capable monitor, giving you a useful indicator of the camera's angle as it lays inside the pipe.

**HDR Image Sensor** — The high dynamic range (HDR) image sensor expands the camera's dynamic range, allowing a greater ratio of bright and dark areas to be displayed in the same image at the same time without reducing visibility. The result is superior clarity and detail, allowing you to quickly and easily identify problem areas.

**Digital Pan/Zoom** — Pan and zoom within the image to focus on points of interest.

Specifications	
<b>Weight</b>	11.8 kg [26 lb]
<b>Dimensions</b>	
Length	519 mm [20.4 in]
Depth	288 mm [11.3 in]
Height	560 mm [22 in]
Drum diameter	462 mm [18.2 in]
<b>TruSense Camera</b>	
Length	18 mm [0.7 in]* 32 mm [1.2 in]**
Diameter	25 mm [1 in]
Leveling	Digital self-leveling (when used with TruSense-capable device)
<b>Resolution</b>	640 × 480 pixels
<b>Sonde</b>	
Type	Flexmitter®
Frequency	512 Hz
<b>Distance Measurement</b>	
Type	TruSense Counter
Data Communication	Two-Way
<b>Push Cable</b>	
Length	61 m [200 ft]
Diameter	9.1 mm [0.36 in]
Fiberglass core diameter	3.5 mm [0.14 in]
Minimum bend radius	76 mm [3 in]
<b>Pipe Capacity</b> §	38 mm to 203 mm [1.5 in to 8 in]

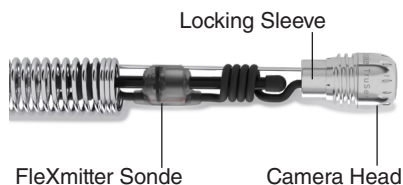
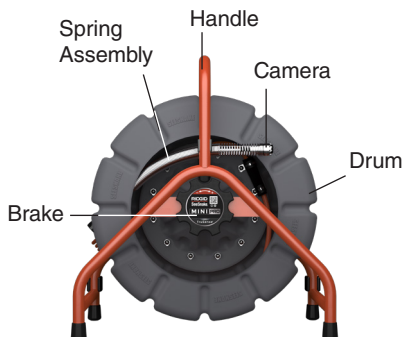
Specifications	
<b>System Cable Length</b>	3 m [10 ft]
<b>Operating Environment</b>	
Temperature ‡	-10°C to 50°C [14°F to 122°F]
Storage temperature	-10°C to 70°C [14°F to 158°F]
Ingress protection (without monitor)	IP×5
Relative humidity	5 to 95 percent
Altitude	4,000 m [13,123 ft]
Camera depth rating	Waterproof to 100 m [328.1 ft]
* Measured from lens to spring.	
** Measured from lens to end of threads.	
§ Actual pipe capacity depends on pipe conditions.	
‡ While the camera can function in extreme temperatures, some image quality changes may occur.	

## Standard Equipment

- SeeSnake Mini Pro camera reel
- Operator's manual
- Pipe guide kit
- Spanner wrench



## System Components



## Specific Safety Information

### ⚠ WARNING



This section contains important safety information that is specific to the SeeSnake Mini Pro. Read these precautions carefully before using the equipment to reduce the risk of electrical shock, fire, and/or serious injury.

**SAVE ALL WARNINGS AND INSTRUCTIONS FOR FUTURE REFERENCE!**

### SeeSnake Mini Pro Safety

- Read and understand this manual, the digital reporting monitor's manual, and the instructions for any other equipment you are using before operating the equipment. Failure to follow all instructions may result in property damage and/or serious injury. Keep this manual with the equipment for future use.
- Operating the equipment while in water increases the risk of electrical shock. Do not operate the system if operator or equipment are standing in water.
- The equipment is not designed to provide high voltage protection and isolation. Do not use where a danger of high voltage contact is present.
- To prevent damage to the equipment and to decrease the risk of injury, do not expose the equipment to mechanical shocks. Exposure to mechanical shocks can damage equipment and increase the risk of serious injury.

- **Always use appropriate personal protective equipment when handling and using equipment in drains.** Wear appropriate protective equipment such as latex or rubber gloves, goggles, face shields, and respirators when inspecting drains that might contain hazardous chemicals or bacteria. Always wear eye protection to protect against dirt and other foreign objects.

## Operating Instructions

### Placement

Set up your Mini Pro near the pipe entrance so you can manipulate the push cable while viewing the monitor. Make sure that the drum can spin freely. Placing the reel where the drum cannot spin freely may result in over-winding the cable, which may result in property damage and/or serious injury.



Lay the Mini Pro on its back for greater stability, particularly when on a rooftop, overhead entry, or hillside.



### Inspection Overview

To perform a pipe inspection, connect any SeeSnake monitor to the reel, power on the system, push the push cable through the pipe, and observe the display.

For advanced inspection options, such as capturing media, locating the sonde, tracing the push cable, and delivering reports, refer to the manual that comes with your monitor.

### Connecting to the Monitor

Connect the system cable to the monitor by aligning the connector guide pin with the socket and pushing the connector straight in.

**NOTICE** Only twist the outer locking sleeve. Never bend or twist the connector.



### Retrieving the Camera

Pull the push cable back out of the pipe with slow, steady force and feed small lengths back into the drum. Wipe the push cable with a paper towel or rag as you retrieve it.

**NOTICE** Do not exert excessive force or pull at sharp angles. Feeding longer lengths or forcing the push cable may cause it to loop, kink, or break.

## Pipe Guides

Pipe guides center the camera in the pipe, improve picture quality, and help keep the lens clear. Use pipe guides when possible to reduce wear and tear on the camera system.

**NOTICE** To use all of your Mini Pro's features, you must be running the latest software on your TruSense-capable device.

Visit [support.seesnake.com/proudate](http://support.seesnake.com/proudate) for installation instructions or scan the QR code.



## Maintenance and Support

### Cleaning

Clean your system with rags and a soft nylon brush. If desired, a mild detergent or disinfectant can be used. Do not use solvents or high pressure water to clean any part of the system.

### Maintaining Components

#### Camera Head

Scratches on the camera have a minimal effect on the its performance. Do not use scraping tools or sand the camera to remove scratches.

#### Push Cable

Run a rag over the push cable and visually inspect it for cuts and abrasions while pushing it back into the drum. Replace or repair the push cable if the outer jacket is cut or abraded.

### Storage

The SeeSnake Mini Pro must be stored in a dry, secure area between -10°C and 70°C [14°F and 158°F]. Store your equipment in a locked area out of the reach of children and people unfamiliar with its purpose.

### Support

For support and additional information about using your system, visit [support.seesnake.com/mini-pro](http://support.seesnake.com/mini-pro).

## Service and Repair

**Improper service or repair can cause the camera reel to be unsafe to operate.**

Service and repair of the camera reel must be performed at a RIDGID Independent Authorized Service Center. To find your nearest service center or for any service or repair questions:

- Contact your local RIDGID distributor.
- Visit RIDGID.com.
- Contact Ridge Tool Company Technical Service Department at [rttechservices@emerson.com](mailto:rttechservices@emerson.com) or, in the USA and Canada, call 1-800-519-3456.

## Disposal

Parts of your system contain valuable materials that can be recycled. There are companies that specialize in recycling that may be found locally. Dispose of the components in compliance with all applicable regulations. Contact your local waste management authority for more information.



**EC Countries:** Do not dispose of electrical equipment with household waste!

According to the European Guideline 2012/19/EU for Waste Electrical and Electronic Equipment and its implementation into national legislation, electrical equipment that is no longer usable must be collected separately and disposed of in an environmentally correct manner.

## Battery Disposal

**EC Countries:** Defective or used batteries must be recycled according to the guideline 2006/66/EEC.







WWW.RIDGID.COM

**Ridge Tool Company**  
400 Clark Street  
Elyria, Ohio 44035-6001  
USA

1-800-474-3443

**Ridge Tool Europe NV (RIDGID)**  
Ondernemerslaan 5428  
3800 Sint-Truiden  
Belgium

+32 (0)11 598 620

© 2023 Ridge Tool Company. All rights reserved.

Every effort has been made to ensure that the information in this manual is accurate. Ridge Tool Company and its affiliates reserve the right to change the specifications of the hardware, software, or both as described in this manual without notice. Visit [www.RIDGID.com](http://www.RIDGID.com) for current updates and supplemental information pertaining to this product. Due to product development, the photos and other presentations specified in this manual may differ from the actual product.

RIDGID and the RIDGID logo are trademarks of Ridge Tool Company, registered in the USA and other countries. All other registered and unregistered trademarks and logos mentioned herein are the property of their respective owners. Mention of third-party products is for informational purposes only and constitutes neither an endorsement nor a recommendation.

iPad, iPhone, iPod touch, and App Store are trademarks of Apple Inc., registered in the USA and other countries. "Made for iPod," "Made for iPhone," and "Made for iPad" mean that an electronic accessory has been designed to connect specifically to iPod, iPhone, or iPad respectively, and has been certified by the developer to meet Apple performance standards. Apple is not responsible for the operation of this device or its compliance with safety and regulatory standards. Please note that the use of this accessory with iPod, iPhone, or iPad may affect wireless performance.

The Bluetooth word mark and logos are owned by the Bluetooth SIG, Inc.

Printed in USA  
999-995-432.10

2023/02/02  
744-012-0103-00-0A

**RIDGID**

  
**EMERSON**